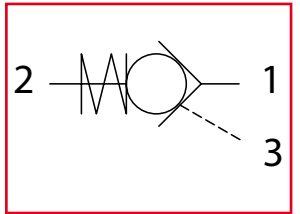


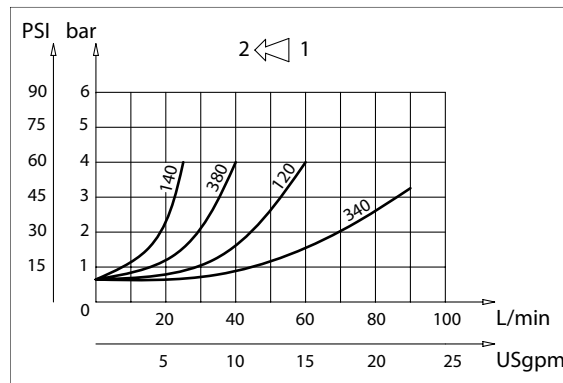
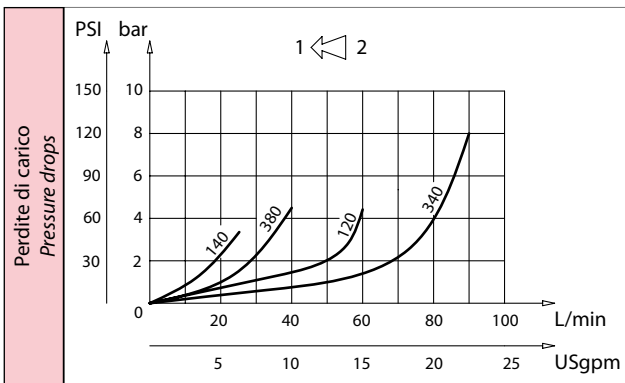
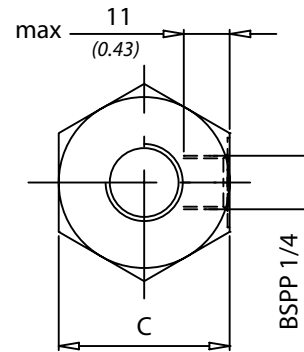
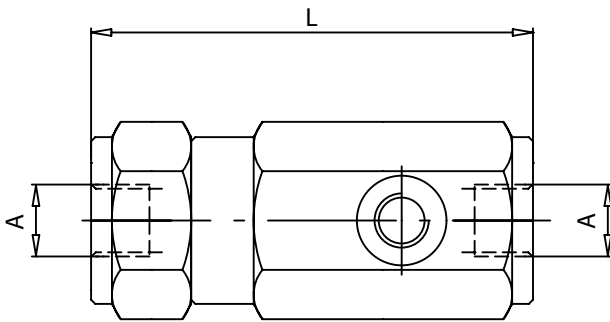
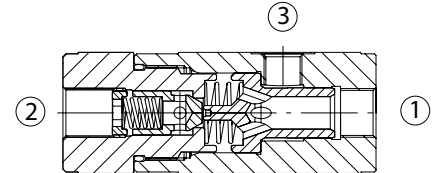


# VRPE

Valvole di blocco pilotate a semplice effetto  
Single acting pilot check valves



| Dati tecnici<br>Technical data              |  |
|---|--|
| Viscosità fluido<br>Fluid viscosity         | 10-500 mm <sup>2</sup> /s<br>45 to 2000 ssu (6 to 420 cSt) |
| Classe di contaminazione<br>Filtration      | ISO code 16/13<br>SAE class 4 or better                    |
| Temperatura fluido<br>Fluid temperature     | -20°C +80°C<br>-4°F +176°F                                 |
| Temperatura ambiente<br>Ambient temperature | -20°C +50°C<br>-4°F +122°F                                 |



[ mm  
(Inches) ]

| Caratteristiche tecniche<br>Technical performances |          |  |  |            |           |   |  |
|--|----------|--|--|------------|-----------|---|--|
| Codice<br>Code                                     | A        | Portata Max<br>Max flow<br>l/min - USgpm | Pressione Max<br>Max pressure<br>bar/PSI | L          | C         | Peso approssimativo<br>Approx weight<br>Kg / lb | Rapporto di<br>pilotaggio<br>Pilot ratio |
| VRPE140  | BSPP 1/4 | 25 (6.5)                                 | 350 (5000)                               | 100 (3.94) | 36 (1.42) | 0,75 (1.65)                                     | 1:3.6                                    |
| VRPE380  | BSPP 3/8 | 40 (10.5)                                |  | 105 (4.13) | 41 (1.62) | 1 (2.2)   | 1:3.2                                    |
| VRPE120  | BSPP 1/2 | 60 (16)                                  |  | 125 (4.92) |           | 1,1 (2.4)                                       | 1:2.8                                    |
| VRPE340  | BSPP 3/4 | 100 (26)                                 | 300 (4350)                               | 130 (5.12) | 55 (2.16) | 2 (4.4)   | 1:3.2                                    |
| VRPE100  | BSPP 1   | 150 (40)                                 |  | 166 (6.54) | 65 (2.56) | 3,6 (7.92)                                      | 1:6.2                                    |

| Codice ordinazione<br>Ordering code |                   |
|-------------------------------------|-------------------|
| <b>VRPE - X</b>                     |                   |
| <b>X</b>                            | Dimensione / Size |
| 140                                 | BSPP 1/4          |
| 380                                 | BSPP 3/8          |
| 120                                 | BSPP 1/2          |
| 340                                 | BSPP 3/4          |
| 100                                 | BSPP 1            |